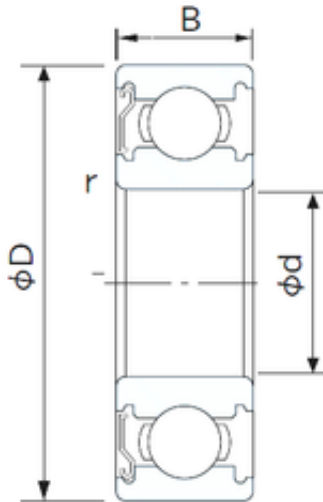




NKE-Corredor de energia.



70 mm x 90 mm x 10 mm NACHI 6814Z
Rolamentos de esferas profundas

Bearing No. 6814Z

Size	70x90x10 mm
Bore Diameter	70 mm
Outer Diameter	90 mm
Width	10 mm
d	70 mm
D	90 mm
B	10 mm
C	10 mm
r min.	0.6 mm
da min.	74 mm
Da max.	86 mm
ra max.	0.6 mm
Weight	0.135 Kg
Basic dynamic load rating (C)	12,1 kN
Basic static load rating (C0)	11,9 kN
(Grease) Lubrication Speed	7000 r/min

6814Z Bearing 2D drawings and 3D CAD models