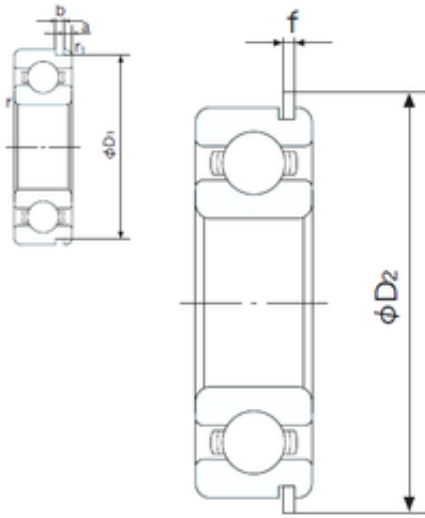




NKE-Corredor de energia.



6305NR Bearing 2D drawings and 3D CAD models

25 mm x 62 mm x 17 mm NACHI 6305NR Rolamentos de esferas profundas

Bearing No. 6305NR

Size	25x62x17 mm
Bore Diameter	25 mm
Outer Diameter	62 mm
Width	17 mm
d	25 mm
D	62 mm
B	17 mm
C	17 mm
a	3.28 mm
b	1.9 mm
f	1.7 mm
r min.	1.1 mm
r1 min.	0.5 mm
D1	59.61 mm
D2	67.7 mm
Weight	0.232 Kg
Basic dynamic load rating (C)	23,6 kN
Basic static load rating (C0)	12,1 kN
(Grease) Lubrication Speed	11000 r/min
Category	Ball Bearings
Inventory	0.0
Manufacturer Name	NACHI
Minimum Buy Quantity	N/A
UNSPSC	31171504
Weight / Kilogram	0.232



NKE-Corredor de energia.

EAN	4991893765588
Product Group	B00308
Bore Type	Cylindrical Bore
Configuration	Single Row
Enclosure	Snap Ring Groove with Snap Ring
Bore Size	25 mm
Outside Diameter	62 mm
Width	17 mm
Fillet Radius/Chamfer	1.1 mm
r1	0.5 mm
Snap Ring Width	1.7 mm
Snap Ring Outside Diameter	67.7 mm
D1 (max)	59.6 mm
a (max)	3.3 mm
b (min)	1.9 mm
Dynamic Load Rating	23,600 N
Static Load Rating	12,100 N
Limiting Speed - Grease	12,000 rpm
Limiting Speed - Oil	14,000 rpm
Factor fo	12.2
Radial Clearance	0.005 to 0.020 mm
da (min)	32 mm
Da (max)	55 mm
Dx (min)	68.5 mm
ra (max)	1 mm
Cy (max)	4.6 mm