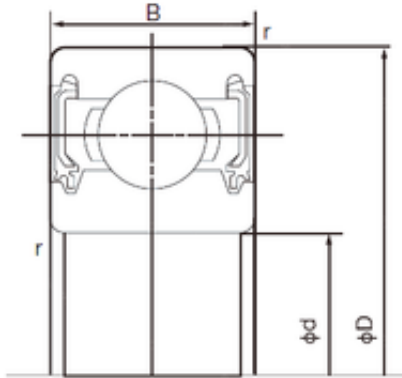




NKE-Corredor de energia.

10 mm x 22 mm x 6 mm NACHI 6900-2NKE
Rolamentos de esferas profundas



Bearing No. 6900-2NKE

Size	10x22x6 mm
Bore Diameter	10 mm
Outer Diameter	22 mm
Width	6 mm
d	10 mm
D	22 mm
B	6 mm
C	6 mm
r min.	0.3 mm
da min.	12 mm
Da max.	20 mm
ra max.	0.3 mm
Weight	0.009 Kg
Basic dynamic load rating (C)	2,49 kN
Basic static load rating (C0)	1,13 kN

6900-2NKE Bearing 2D drawings and 3D CAD models