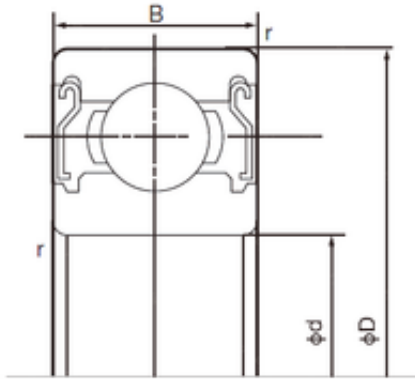




## NKE-Corredor de energia.

140 mm x 210 mm x 33 mm NACHI 6028ZZ  
Rolamentos de esferas profundas



Bearing No. 6028ZZ

6028ZZ Bearing 2D drawings and 3D CAD models

Size	140x210x33 mm
Bore Diameter	140 mm
Outer Diameter	210 mm
Width	33 mm
d	140 mm
D	210 mm
B	33 mm
C	33 mm
r min.	2 mm
da min.	148 mm
Da max.	202 mm
ra max.	2.0 mm
Weight	4.15 Kg
Basic dynamic load rating (C)	110 kN
Basic static load rating (C0)	109 kN
Category	Single Row Ball Bearings
Inventory	0.0
Manufacturer Name	NACHI
Minimum Buy Quantity	N/A
Weight / Kilogram	0
Product Group	B00308
Enclosure	2 Metal Shields
Precision Class	ABEC 1   ISO P0
Maximum Capacity / Filling Slot	No



## NKE-Corredor de energia.

Rolling Element	Ball Bearing
Snap Ring	No
Internal Special Features	No
Cage Material	Steel
Internal Clearance	C0-Medium
Inch - Metric	Metric
Long Description	140MM Bore; 210MM Outside Diameter; 33MM Outer Race Width; 2 Metal Shields; Ball Bearing; ABEC 1   ISO P0; No Filling Slot; No Snap Ring; No Internal Special Features; C0-Medium Internal Clearance; St
Other Features	Deep Groove
Category	Single Row Ball Bearing
UNSPSC	31171504
Harmonized Tariff Code	8482.10.50.68
Noun	Bearing
Keyword String	Ball
Manufacturer URL	<a href="http://www.nachiamerica.com">http://www.nachiamerica.com</a>
Weight / LBS	7.6654
Outside Diameter	8.268 Inch   210 Millimeter
Inner Race Width	0 Inch   0 Millimeter
Bore	5.512 Inch   140 Millimeter
Outer Race Width	1.299 Inch   33 Millimeter
Bore Type	Cylindrical Bore
Configuration	Single Row
Bore Size	140 mm
Width	33 mm
Fillet Radius/Chamfer	2 mm
Dynamic Load Rating	110,000 N
Static Load Rating	109,000 N



## NKE-Corredor de energia.

Limiting Speed - Grease	3,000 rpm
Factor fo	15.9
Radial Clearance	0.018 to 0.048 mm
da (min)	148 mm
Da (max)	202 mm
ra (max)	2 mm